

Warranty Information

Professional Fluid Transfer

CHONRY 创锐

Warranty Commitment

- The product warranty period is one year. If there is a failure during the warranty period, you can enjoy free maintenance and replacement of parts; if it is damaged due to human beings, it will not be included in the warranty scope.
- After the warranty period, only the cost of maintenance will be charged.

Note: No employee or dealer has the right to change or violate the above warranty terms. Chuangrui is only responsible for repairing, replacing or refunding the product according to the actual use of the product and the customer's reasonable and compliance requirements.

Warranty Details

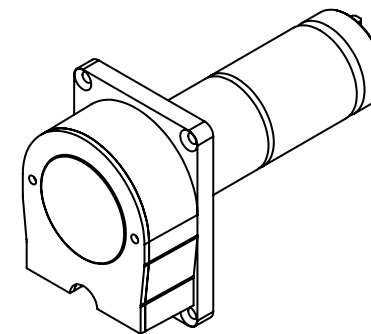
- If it is not a product quality problem, it is caused by external reasons such as operational errors or human negligence.No responsibility for direct or indirect losses.
- We are not responsible for any transport damage caused by returned products and accessories during the return journey.
- For the product, in no case shall the cost of compensation received by the customer exceed the actual payment price.

Disclaimer Information

- The contents of this operation manual are for reference only.
- Chuangrui Pumps reserves the right to make changes to products (design or specifications) without prior notice profit.
- The information contained in this article is formulated from the correct point, and we will not be responsible for any errors.
- If you need the latest version of the operation manual for this product, please contact Chuangrui official.
- We are not responsible for any loss caused by non-product quality problems or human error.



QUICK ACTION GUIDE OEM206



BAODING CHUANG RUI PRECISION PUMP CO., LTD.

Address: NO.369 of HuiYang Street, Baoding 071000, Hebei, China

Mobile: +86 15633705132 **E-mail:** support@crpump.com

Website: <https://www.crpump.com>

BAODING CHUAGN RUI PRECISION PUMP CO., LTD.

————— Please read this manual carefully before operation —————



Product description

The OEM206 pump head housing adopts new special engineering plastics, which has outstanding stability and corrosion resistance. It can be designed with a visual window to facilitate the transmission situation. The fluid transportation performance is strong, and the maximum flow can reach 1070mL/min.

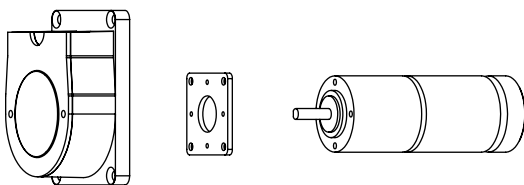
Pump head parameters

Model	OEM206
Max speed	300rpm
Max flow	1070mL/min
Channel	1
Roller	2
Tube	13#, 14#, 19#, 16#, 25#, 17#, 18#
Roller Material	PP
Available motor	42 DC planetary gear motor

⚠ Safety warning

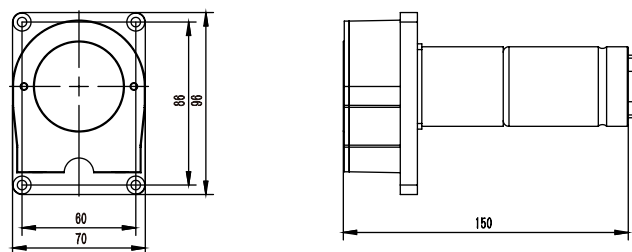
The tube may be cracked due to wear and tear, causing the liquid to overflow from the tube, which may cause harm to the human body and equipment, so check frequently and replace the tube in time! It is forbidden to open the upper pressure block during the operation of the product, and it is strictly forbidden to contact the rotating parts such as the pump wheel with fingers or sundries. To ensure personal and equipment safety, be sure to disconnect the drive from power before cleaning or maintenance.

Pump head structure



Pump head → Pump head mounting plate → Motor connection plate → Matching motor

Installation size(mm)



OEM206 Installation size: 150X70X96mm

Tube selection and flow reference

Pump head	Tube	ID*wall thickness (mm)	Max flow (mL/min)	Max speed (rpm)	Remark
WP300	13#	0.8*1.6	18	300	WP300 (double roller) Equipped with 17#/18# hose, only Use silicone tube
	14#	1.6*1.6	68	300	
	19#	2.4*1.6	140	300	
	16#	3.1*1.6	230	300	
	25#	4.8*1.6	480	300	
	17#	6.4*1.6	820	300	
	18#	7.9*1.6	1070	300	

Test conditions:

- Flow data testing environment for room temperature 20-25 °C, relative humidity is not greater than 80%, altitude is not greater than 1500 metres above sea level.
- The test is measured using a straight-through pipe with a suction range of 0.5 m, a head of no more than 0.5 m, and a total pipe length of no more than 1.5 m (inlet end + outlet end + test end)

The above data test environment for normal temperature and pressure, the test fluid is water, the data is for reference only, please refer to the actual standard.

Length of tube inside pump head

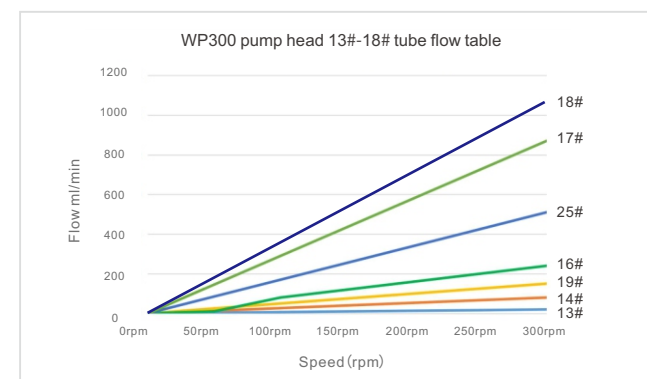
3 rollers

Silicone tube model	Silicone tube length	Pharmed model	Pharmed length	A-60-F model	A-60-F length
13#	133mm	\	\	\	\
14#	133mm	14#	133mm	14#	133mm
19#	133mm	\	\	\	\
16#	133mm	16#	133mm	16#	133mm
25#	133mm	25#	133mm	25#	133mm
17#	136mm	17#	134mm	17#	136mm
18#	134mm	18#	136mm	18#	134mm

2 rollers

Silicone tube model	Silicone tube length	Pharmed model	Pharmed length	A-60-F model	A-60-F length
13#	132mm	\	\	\	\
14#	132mm	14#	132mm	14#	132mm
19#	132mm	\	\	\	\
16#	132mm	16#	132mm	16#	132mm
25#	132mm	25#	132mm	25#	132mm
17#	132mm	17#	132mm	17#	132mm
18#	132mm	\	\	\	\

Flow curve chart



WP300 flow curve chart

Tube installation

Installation steps

The tube are embedded in the tube joint, the installation is complete.