

LG350M

PRODUCT DESCRIPTION

**Batch digital transfer
peristaltic pump**



LG350M

PRODUCT DESCRIPTION

Batch digital transfer peristaltic pump

Used in industrial fermentation, water reducing agent, admixture and other fluid transportation, Suitable for large traffic transmission environment.

Max flow
33000mL/min

Max speed
350rpm



LG350M

LG350M is a batch digital transfer peristaltic pump. It adjusts parameters with a knob and is simple and convenient to operate. It displays the current flow rate or rotational speed through 4-digit LED and can perform liquid volume calibration. It is equipped with a KZ50 pump head. The maximum flow rate can reach 33L, and it has high torque in both directions. Adapt to different working environments and support RS485MODBUS communication protocol.

Extremely simple operation

Digital knob for speed adjustment and function Easy to set up and operate.

Power off save

Can automatically save the control parameters when the last power failure.

Can be cascaded

KZ50 pump head can be installed, the maximum Transmission 33L.



Suction function

Quickly cleans, fills and drains pipes.

Flow calibration

After setting the target flow, input the actual flow value, and the system will automatically perform flow correction.

External control function

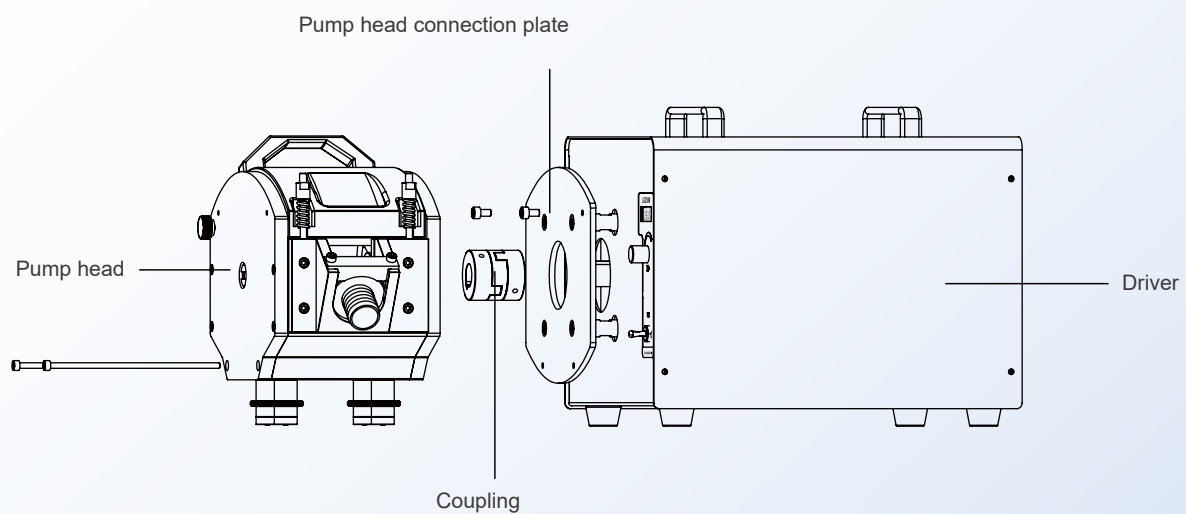
Support RS485MODBUS communication protocol, the protocol can also be customized according to customer needs.

Technical parameter

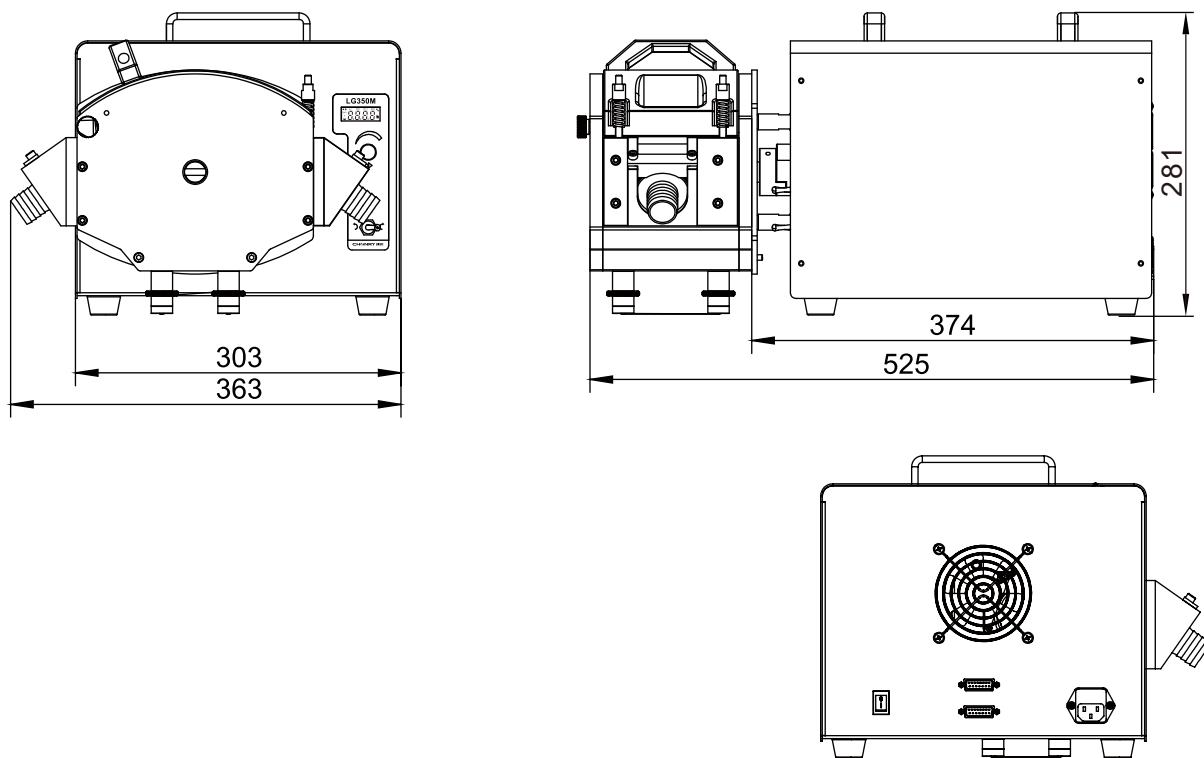
Drive model	LG350M
Max speed	350rpm (reversible)
Max flow	33000mL/min
Speed resolution	0.1rpm
Display method	Four-digit LED displays current speed or flow
Speed mode	Digital knob to adjust the speed
Back suction angle	10°-720° (0° means no back suction)
Back suction speed	10-300rpm
Power	<750W
Drive size	303X374X281mm
Drive weight	27kg
Power supply	AC220±10% (Standard) or AC110V±10% (optional)
External control method	Start control/direction control/speed control (0-5V, 0-10V, 4-20mA optional) RS485 serial communication

Schematic diagram of structure and function

Pump head → Coupling → Pump head connection plate → Driver



Dimensions



(Unit: mm)

* Technical parameters are subject to change without notice.

CHONRY 创锐

Baoding Chuangrui Precision Pump Co.,Ltd.

Address: NO.369 of HuiYang Street , Baoding 071000,Hebei , China

Mobile: +86 15633705132

Website: <http://www.crpump.com>

Email: support@crpump.com

